


Test the limits of what is possible with X-ES' unrivaled embedded computing systems.

EXPLORE SYSTEMS

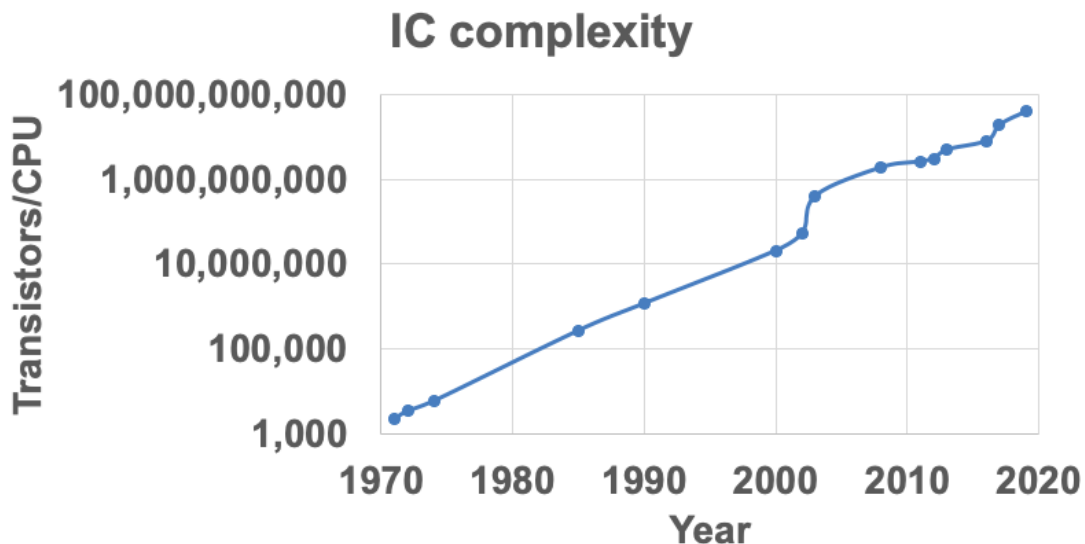


PROCESSING & IP FEATURE

IC Design: Trajectories from the Past and into the Future

What is the future of IC design jobs? Will AI replace IC designers? These are questions that have been repeatedly asked at many technical conferences.

[Read more](#)



CONSUMER ELECTRONICS NEWS

Imagination and Packetcraft Announce Partnership for Low Energy Audio

Imagination Technologies and Packetcraft announced a partnership to enable a complete Bluetooth Low Energy audio solution using the new Low Complexity Communication Codec (LC3).

[Read more](#)

ADVERTISEMENT

Vizi-AI Vision Development Kit Raffle

Tune in as we review ADLINK Technology's Vizi-AI Vision Development Kit, then enter a raffle to win one of five for free!

Sponsored by **ADLINK Technology**

DEVELOPMENT TOOLS NEWS

Microchip Introduces Ensemble Graphics Toolkit to Speed Linux Graphical User Interface Development

Microchip Technology announced a new GUI development toolkit for its portfolio of 32-bit microprocessors (MPUs) running Linux. The toolkit is designed to help designers of industrial, medical, consumer, and automotive graphical displays to reduce development cost and time-to-market.

[Read more](#)

ADVERTISEMENT

Securing the Automobile in a Connected World

Aileen Ryan, UltraSoC's Chief Strategy Officer, walks through the company's offering, how it works, and the steps the automotive industry should take to ensure that its automotive environment remains secure.

Sponsored by **UltraSoc**

AUTOMOTIVE SENSORS NEWS

SUBARU Selects ON Semiconductor Image Sensing Technology for its EyeSight Driver Assist Platform

ON Semiconductor announced that SUBARU has selected its image sensing technology to enable camera-based ADAS (Advanced Driver Assistance Systems) in the car manufacturer's new-generation EyeSight Driver Assist platform.

[Read more](#)

ADVERTISEMENT

Meeting the Need for Secured Authentication in Wireless Charging

Sponsored by **Infineon**

Date: **October 21, 11:00 a.m. ET**

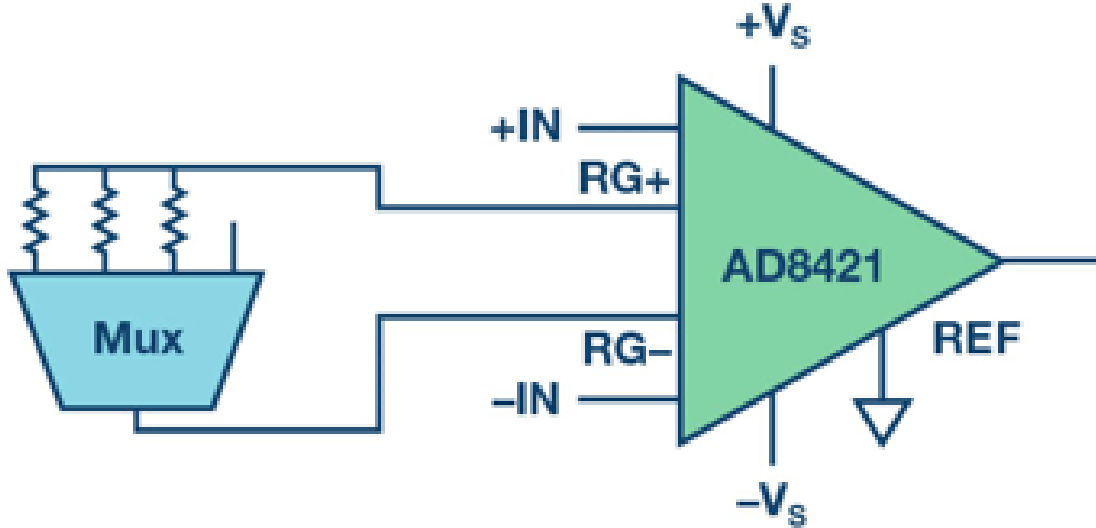
[REGISTER NOW](#)

POWER ELECTRONICS FEATURE

Programmable Gain Instrumentation Amplifiers: Finding One that Works for You

Data acquisition (DAQ) systems find their use in many industries, for a wide range of applications, such as research, analysis, design verification, manufacturing, and testing. By nature, these systems interface to various sensors, which poses a challenge to the front end.

[Read More](#)



Share



Contact us

View the latest

[Embedded Products](#) | [Embedded News](#)

View the latest news, articles, white papers, and blogs from our channels
[IoT](#) | [Dev Tools & OS](#) | [Automotive](#) | [Industrial](#) | [Hardware](#) | [Networking](#) | [Processing](#) | [Storage](#)