

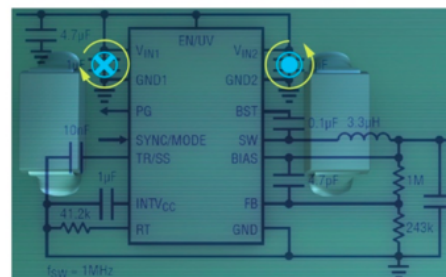
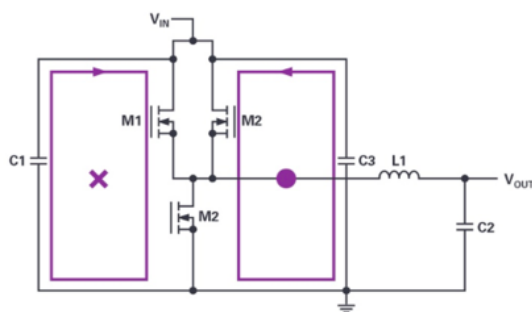


## POWER ELECTRONICS FEATURE

### Is It Possible to Fit Low EMI Power Supplies onto Crowded Boards?

Limited and shrinking board real estate, tight design cycles, and stringent electromagnetic interference (EMI) specifications, such as CISPR 32 and CISPR 25, are limitations that make it difficult to produce power supplies that feature high efficiency and good thermal performance.

[Read more](#)



ADVERTISEMENT

How to Deploy Actionable Edge AI Apps with Intel OpenVINO, Twilio & Vizi-AI

Neural networks are maturing and first-gen AI processors are hitting the market. Now we have to deploy these things! Tune in to this episode of Embedded Toolbox as ADLINK Technology's Rob Boville shows us how it's done.

Sponsored by **ADLINK**

## POWER ELECTRONICS NEWS

### Toshiba Releases TW070J120B, SiC MOSFET Device

Toshiba released the TW070J120B, a 1200V SiC MOSFET for high power industrial applications. Such applications include 400V AC input AC-DC power supplies, Photovoltaic (PV) inverters, and bi-directional DC-DC converters for uninterruptible power supplies (UPS).

[Read more](#)

Annual IoT Survey - Engineers! We need your help!

IoT Developers and Engineers, we need your help! Please complete our short IoT survey, and you will be entered to win a \$50 or \$100 coupon to use from our sponsors on [shop.udoo.org](http://shop.udoo.org)

Sponsored by **SECO**

#### EMBEDDED SENSORS NEWS

### **ON Semiconductor Expands XGS Family of CMOS Image Sensors for High-Resolution Industrial Imaging**

ON Semiconductor expanded their XGS family of image sensors with high performance, low noise products that offer 12-bit image quality at a high frame rate.

[Read more](#)

#### ADVERTISEMENT

The 2020 (Virtual) IoT Device Security Conference

Join cybersecurity experts from Google, Cisco, Arm, and more deliver hands-on tips, techniques, and best practices for locking down intelligent, connected devices. Register Now for Free.

Sponsored by **IAR Systems, Trusted Computing Group, Cypress**

#### ELECTRONICS INDUSTRY NEWS

### **SMART Global Holdings to Purchase Cree LED**

SMART Global Holdings announced it has entered an agreement with Cree to purchase its LED Products business unit, known as Cree LED, for upwards of \$300 million. The purchase includes fixed upfront and deferred payments, in addition to contingent consideration.

[Read more](#)

#### ADVERTISEMENT

The Virtual IoT Device Security Conference

Sponsored by **IAR Systems, Trusted Computing Group, Cypress**

Date: **November 10; 11:00 a.m. ET, 2:00 p.m. ET, 4:00 p.m. ET**

[REGISTER NOW](#)

#### AUTOMOTIVE DEVELOPMENT TOOLS FEATURE

### **HMIs Transform How We Interact With Vehicles**

Human machine interfaces (HMI) have become omnipresent in new vehicle models. Used initially as a replacement for car radio and cassette/CD entertainment units, they quickly added satellite navigation capabilities to turn them into an infotainment system.

[Read More](#)



ADVERTISEMENT

Just Released Webcast: Deployed at the Edge: Telemetry and Video Analytics in Industry 4.0

Now Available On Demand. [View Now.](#)

Sponsored by **Intel**

Share



[Contact us](#)

[View the latest](#)

[Embedded Products](#) | [Embedded News](#)

View the latest news, articles, white papers, and blogs from our channels  
[IoT](#) | [Dev Tools & OS](#) | [Automotive](#) | [Industrial](#) | [Hardware](#) | [Networking](#) | [Processing](#) | [Storage](#)