



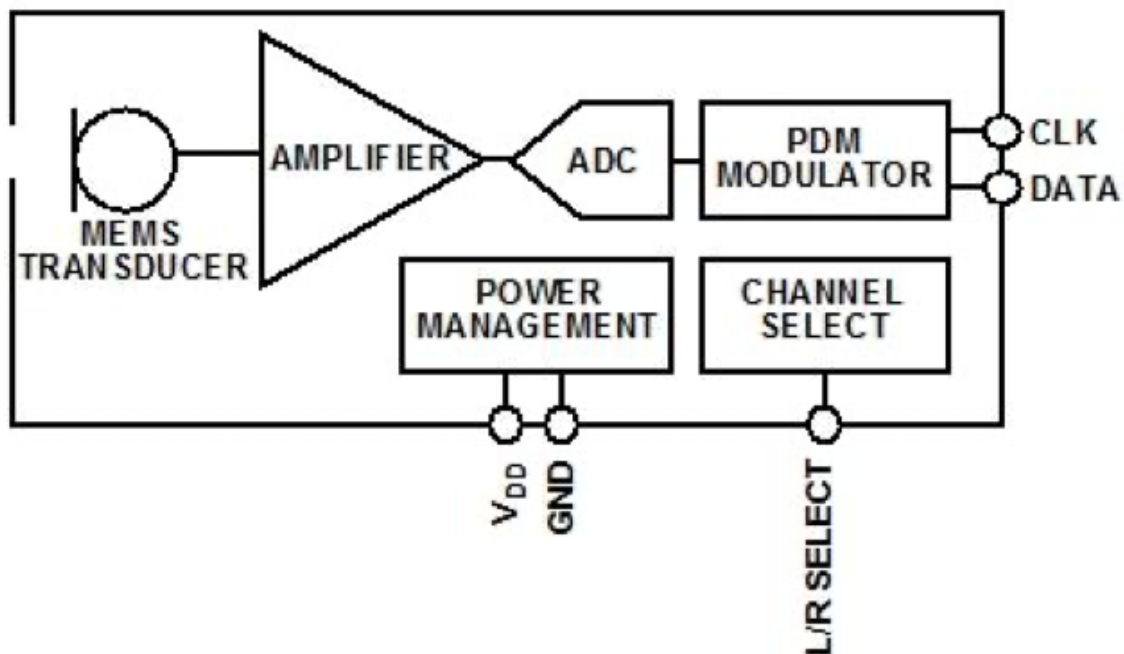
PICMG 1.3 Full-Size & Half-Size Single Board Computers [LEARN MORE](#)  

ANALOG & POWER ELECTRONICS FEATURE

How Voice Coders Are Adapting to MEMS Microphones

Low-cost, low-power microphones are an essential component in many devices nowadays, from wearables to cars. As voice interfaces and digital assistants become more popular, there will be a growing need for compact, affordable subsystems that can take an audio input and convert it to digital data.

[Read more](#)



ADVERTISEMENT

Annual IoT Survey - Engineers! We need your help!

IoT Developers and Engineers, we need your help! Please complete our short IoT survey, and you will be entered to win a \$50 or \$100 coupon to use from our sponsors on shop.udoo.org

Sponsored by **SECO**

NGMN Begins Project Focusing on Vision, Drivers for 6G

The 6G Vision and Drivers project was developed to provide early and timely direction for global 6G activities. Per the company, it will also facilitate information exchanges within its internal partnership and relevant stakeholders.

[Read more](#)

ADVERTISEMENT

The 2020 (Virtual) IoT Device Security Conference

Join cybersecurity experts from Google, Cisco, Arm, and more deliver hands-on tips, techniques, and best practices for locking down intelligent, connected devices. Register Now for Free.

Sponsored by **IAR Systems, Trusted Computing Group, Cypress**

AI PROCESSING & IP NEWS

Flex Logix Announces Working Silicon of AI Edge Inference Chip

The InferX X1 offers ideal performance of neural network models such as object detection and recognition, and other neural network models, for robotics, industrial automation, medical imaging, and more.

[Read more](#)

ADVERTISEMENT

IoT Development Kit Guide

Help for embedded and Internet of Things (IoT) design engineers to efficiently identify evaluation kits for system prototyping.

Sponsored by **Digi-Key**

POWER ELECTRONICS NEWS

Vishay Releases Siliconix SiZ240DT Half-Bridge Power Stage MOSFET

The two TrenchFET MOSFETs in the SiZ240DT are internally connected in a half-bridge configuration. Its Channel 1 MOSFET provides on-resistance of 8.05 m Ω at 10 V and 12.25 m Ω at 4.5 V. The Channel 2 MOSFET features on-resistance of 8.41 m Ω at 10 V and 13.30 m Ω at 4.5 V.

[Read more](#)

ADVERTISEMENT

Edge to Cloud AI, superpowered by 5g

Sponsored by **Aetina and NVIDIA**

Date: **November 12, 11:00 a.m. ET**

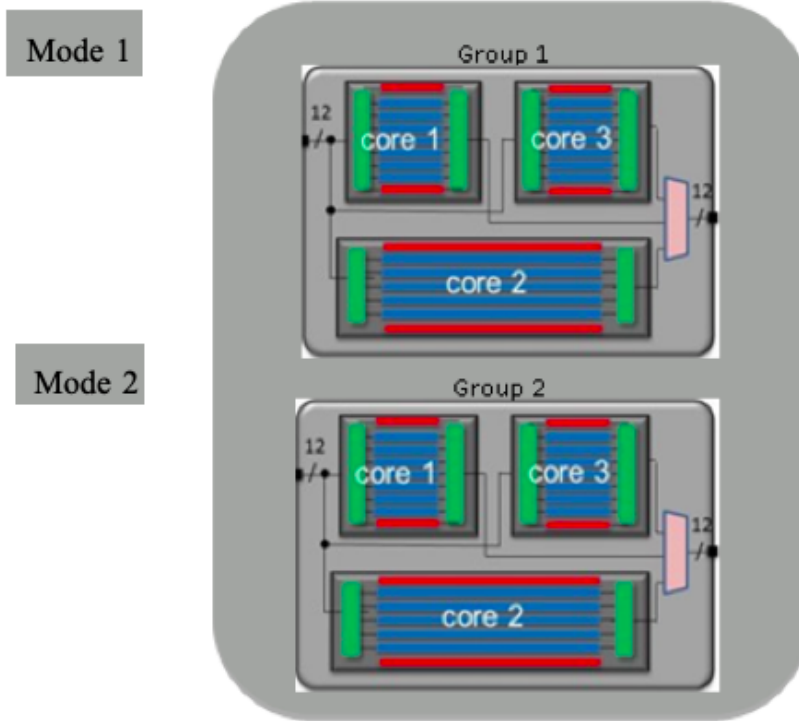
[REGISTER NOW](#)

ELECTRONIC DESIGN AUTOMATION FEATURE

Reduce DFT Footprints in ASIC Design by Addressing Test Time

Next-generation ASIC/SoC design flows are more structurally complex, and

require new fault models and additional test patterns.
[Read More](#)



SECO YOUR TECHNOLOGY PARTNER

HARDWARE Design
ARM | x86 | FPGA

SOFTWARE Customization
Embedded Software
Edge Computing | IIoT

SYSTEM Integration
Modular HMI |
Boxed Solutions

Share



Contact us

View the latest
[Embedded Products](#) | [Embedded News](#)

View the latest news, articles, white papers, and blogs from our channels
[IoT](#) | [Dev Tools & OS](#) | [Automotive](#) | [Industrial](#) | [Hardware](#) | [Networking](#) | [Processing](#) | [Storage](#)